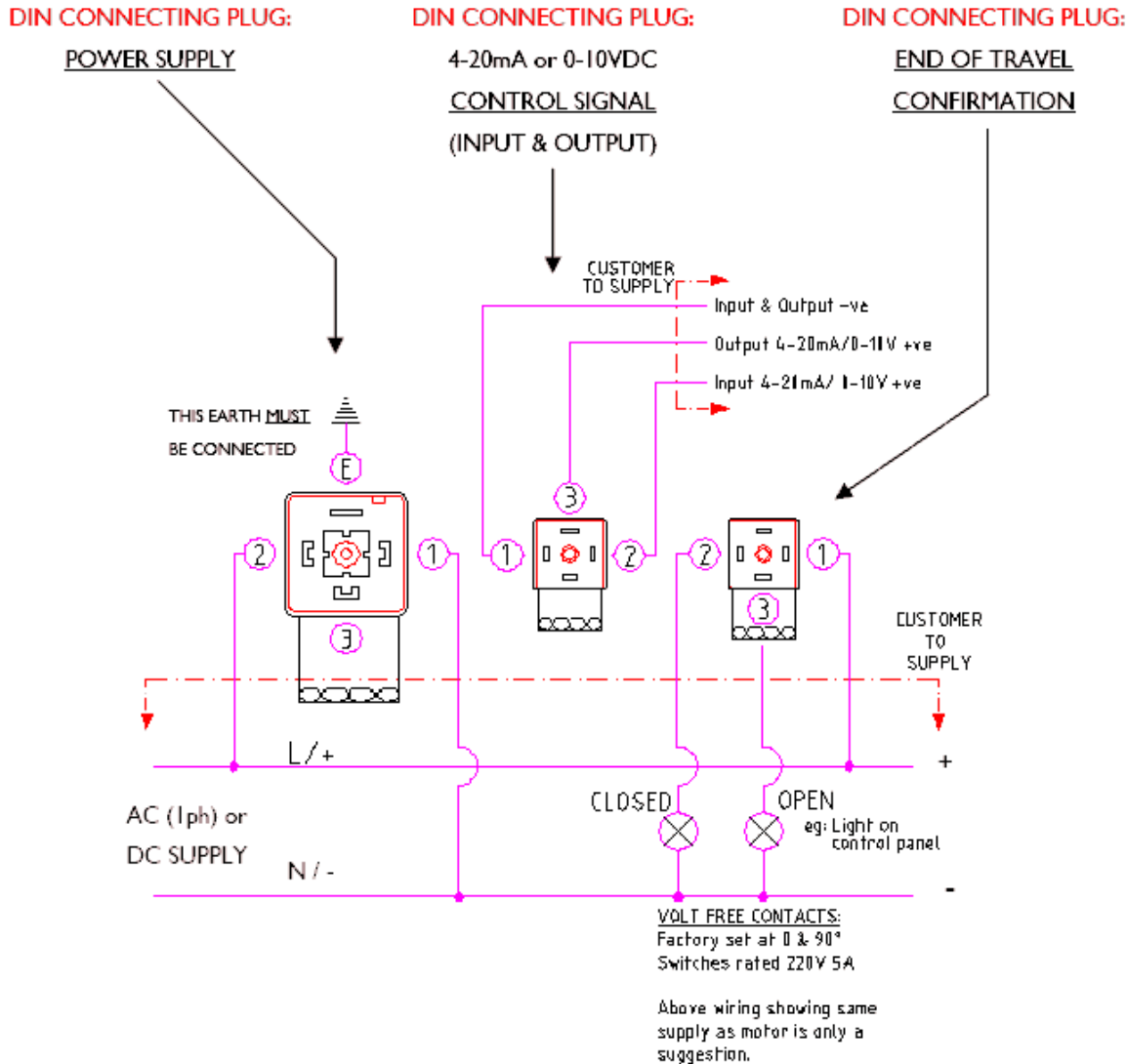


## SERIES EBVA & EBVB with option 3, 4, 5, or 6 AC (1ph) OR DC SUPPLY - WIRING FOR MODULATING ACTUATORS



### POWER SUPPLY MUST BE INDEPENDENTLY FUSED AND NOT LINKED TO OTHER EQUIPMENT

#### FUNCTION: MODULATING VERSION

**Power open, power close** - actuator movement controlled by input signal (4-20mA or 0-10VDC)

**Standard operation:** 4mA or 0V = actuator closed, 20mA or 10V = actuator open (can be reversed)

**Standard operation:** Actuator closes on loss of control signal, stays put on loss of mains power

Output signal (in same format as supply signal) provided as standard.

The control signal connecting plug is rotated by 180° to avoid connecting the end of travel confirmation plug in the control plug position by mistake - this erroneous connection would damage the positioner beyond repair, and this is not covered by our warranty.

#### NOTE: FAIL SAFE "OPEN" WITH MODULATING OPTION

If an EBVA or EBVB actuator is ordered in the FAIL OPEN configuration, and the actuator contains both the BATTERY BACKUP, and the MODULATING kits, the actuator will move to the FAIL OPEN position upon loss of main POWER. If you require that the actuator move to the FAIL OPEN position upon loss of CONTROL SIGNAL, then it will be configured such that 4 mA (or 0 VDC) will OPEN the valve, and 20 mA (or 10 VDC) will CLOSE the valve. If you require that 4 mA (or 0 VDC) CLOSE the valve and 20 mA (or 10 VDC) OPEN the valve, then the actuator will CLOSE the valve upon loss of CONTROL SIGNAL. Upon loss of BOTH POWER and CONTROL SIGNAL, the battery will take over and the actuator will move to the OPEN position.

**PLAST-O-MATIC**  
VALVES, INC.