

BASKET STRAINERS

Series "VSTS"

With Convenient V-Band Clamp Closure

Sizes 6", 8", 10", 12", & 14"

INSTALLATION INSTRUCTIONS

The strainers should be installed in an upright position with head clearance for basket removal. The inlet is marked since these strainers are designed in-line. Make sure flanges are aligned. Lubricate and insert all bolts. Tighten all bolts in stages, a little at a time, alternating between nuts opposite each other. The final torque (foot-pounds) should be as follows depending upon pipe size: 6"-8"; 33-50, 10"; 53-75, 12"; 80-110, 14"; 100.

If either the inlet or outlet line is above the strainer cover, then a valve must be installed so that the cover can be removed without leakage. Also, a drain valve should be installed at the 3/4" NPT drain fitting located in the lower part of the body,

A duplex strainer assembly (parallel installation) with diverting valves is recommended for all sizes where a system cannot be shut down. This enables one strainer to be cleaned while the other is functioning. Consult factory.

OPERATION AND BASKET CLEANING

Plast-O-Matic strainers have the flow directed into the basket where the solids are collected. When the basket is full or when the pressure drop across the unit rises too high, the strainer needs cleaning. To empty the basket, follow these steps:

- 1) Shut down system flow and pressure.
- 2) If the inlet or outlet is above the strainer cover, there should be a shutoff valve in that line, if so close it.
- 3) Drain the strainer of liquid (from the drain port if necessary).
- 4) Loosen the nut on the V-band clamp until the latch on the T-bolt can be unhooked. Open the V-band clamp and remove.
- 5) Remove the cover gasket and cover — Be careful not to scratch the outside diameter of the cover. The gasket must seal against this surface.
- 6) Now the Basket is exposed. Grasp the handle and lift it out. Use extreme caution with dangerous liquids.

When cleaning the baskets do not bang them on a table or handle them roughly. To replace, simply reverse the above procedure. Be sure the gasket and sealing surfaces are clean and lubricated. Silicone oil is a recommended lubricant for all gasket materials. Note: Do not use Petroleum based lubricants (such as Vaseline®) on EPDM Gaskets!

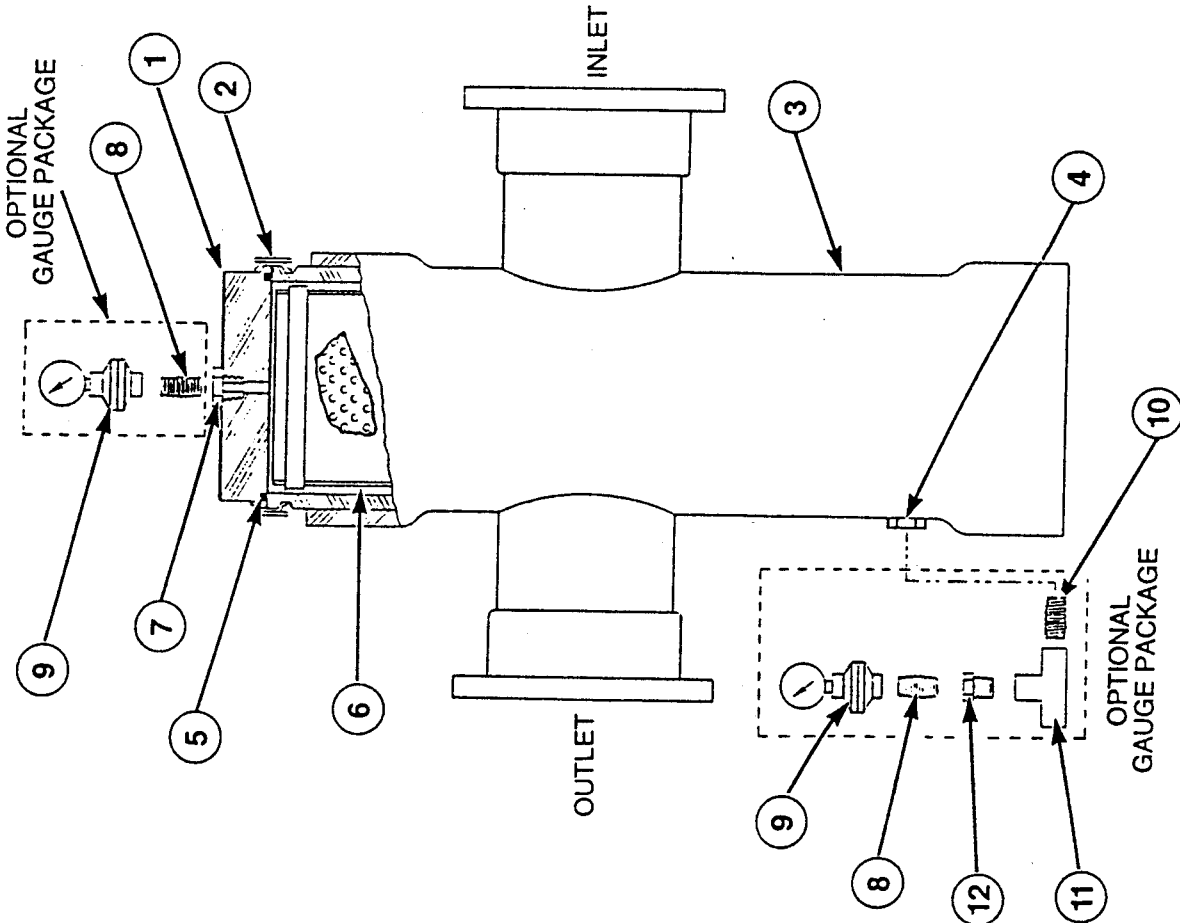
Series "VSTS" BASKET STRAINER Parts & Installation

INSTALLATION INSTRUCTIONS Optional Gauge/Guard Package:

All Series "VSTS" Basket Strainers can be supplied with Gauge/Guard hardware to measure the pressure drop across the unit. To prevent damage to the pressure gauges during shipment, the optional gauge/guard units are not pre-assembled to the basket strainer. To install the gauge/guard assembly, (9), remove male plug (item 7) from the strainer cover and install one nipple (item 8) into the threaded hole following the instructions for threaded connections. Next, assemble the gauge/guard assembly to the opposite end of the nipple.

WARNING: Do Not disconnect pressure gauge from the gauge guard body. Similarly, remove the drain plug (item 4) and install the tee (item 11), nipples (items 8 & 10) and gauge/guard assembly as shown in the cross-section diagram. Reconnect drain plug (item 4) to the open end of the tee.

ITEM	NAME
1	COVER
2	V-BAND CLAMP
3	BODY
4	DRAIN PLUG (3/4 NPT)
5	O-RING
6	BASKET
7	PLUG (1/2 NPT)
OPTIONAL GAUGE PACKAGE	
8	NIPPLE (1/2 NPT)
9	GAUGE and GAUGE GUARD ASSEMBLY
10	NIPPLE (3/4 NPT)
11	TEE
12	REDUCING BUSHING (3/4 NPT X 1/2 NPT)



SERIES "VSTS" BASKET STRAINER
WITH OPTIONAL
GAUGE/GUARD PACKAGE

PLAST-O-MATIC
VALVES, I N C.

1384 Pompton Ave., Cedar Grove, NJ 07009-1095
Phone: (201) 256-3000 • Fax: (201) 256-4745