

ASSEMBLY, INSTALLATION & OPERATING INSTRUCTIONS

SERIES GX, GY, GYW & GYWX SIGHT GLASSES

SERIES GL LEVEL INDICATORS

1. IMPORTANT - BEFORE INSTALLING

Plast-O-Matic sight glasses will provide visual indication of flow or level when properly installed and used within the recommended ranges of pressure, temperature, and chemical compatibility. Pyrex® will etch when in contact with concentrated solutions of hydrofluoric acid (HF) or caustic soda (NaOH) and is not recommended for these applications. The ultimate determination of material compatibility is previous successful use in the same application. Call our Technical Support for information about your application.

Caution: Plastic materials will degrade in ultraviolet (UV) light or sunlight.

Caution: Polypropylene and PVDF (Kynar) often look similar. Do not install in your system if you are not sure.

Material Reference:

Material	P/N Suffix	Color	Max. Temp.
PVC	-PV	Dark Gray	140 °F (60 °C)
CPVC	-CP	Light Gray	180 °F (80 °C)
Polypropylene	-PP	Translucent White	180 °F (80 °C)
PTFE (Teflon®)	-TF	Solid White	225 °F (107 °C)
PVDF (Kynar)	-PF	Off-White	293 °F (145 °C)

EPDM seals limited to 250 °F (120 °C), Buna-N to 200 °F (95 °C). Minimum temperature 40 °F (5 °C). See the Product Data Sheet or consult our Technical Support staff for pressure ratings or other information.

2. INSTALLATION

Threaded Connections: A suitable thread sealant (ex. Teflon tape) should be applied to male tapered threads to assure a "leak-tight" seal. Assemble "hand-tight" followed by a quarter (1/4) turn with a strap wrench. Do not over tighten or use pipe wrenches on plastic pipe and components.

Caution: Teflon® tape will "string" as pipe threads are joined. Loose "strings" could lay across the seating surface and prevent the check valve from completely closing. To avoid this problem, clean out old tape, and do not apply tape to the first thread.

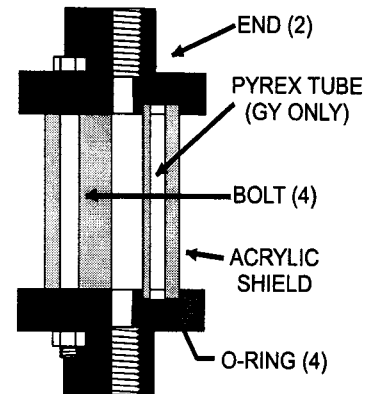
Caution: Connect to plastic pipe and fittings only; metal pipe should only be installed with an intervening plastic nipple. Metal pipe and straight threaded pipe tend to cut, stretch, and distort the plastic bodies, which could result in cracking or leaking over time.

Non-Threaded Connections: For solvent cementing or heat fusion, follow instructions supplied with the cement or fusion equipment, or contact your distributor.

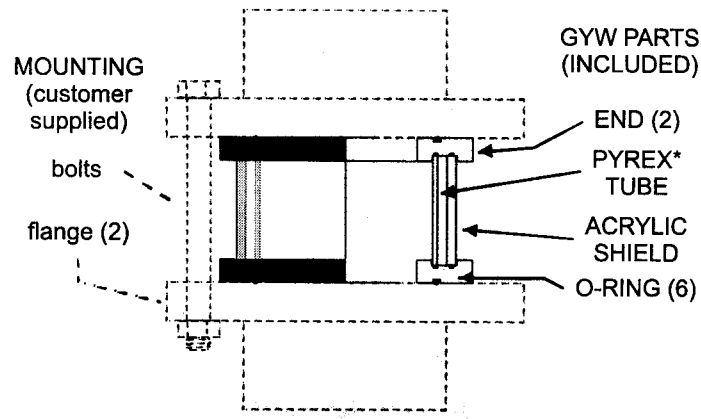
NOTE: When streamers or fluttering devices are installed, the sight glass must be installed in the proper flow direction so that the flow indication is visible.

GYW & GYWX: Bolts should be carefully tightened by hand before using wrenches to make sure that there is no misalignment, and the assembly is evenly stressed. Tighten bolts (alternating sides) with a torque wrench to 10 to 15 foot pounds (15 to 20 N-m).

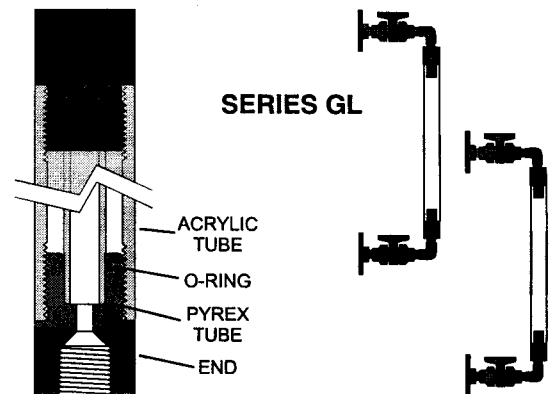
SERIES GX & GY



SERIES GYW & GYWX



SERIES GL



Series GL typical installation includes two ball valves (not included) for easy service. Overlap sighting area for continuous level indication with no visual dead spots. Do not series connect GL with pipe nipples because the assembly will be unstable and a visual dead spot will be created.



PLAST-O-MATIC VALVES, INC.

1384 Pompton Ave • Cedar Grove, NJ 07009 • 973-256-3000 • FAX: 973-256-4745 • www.plastomatic.com